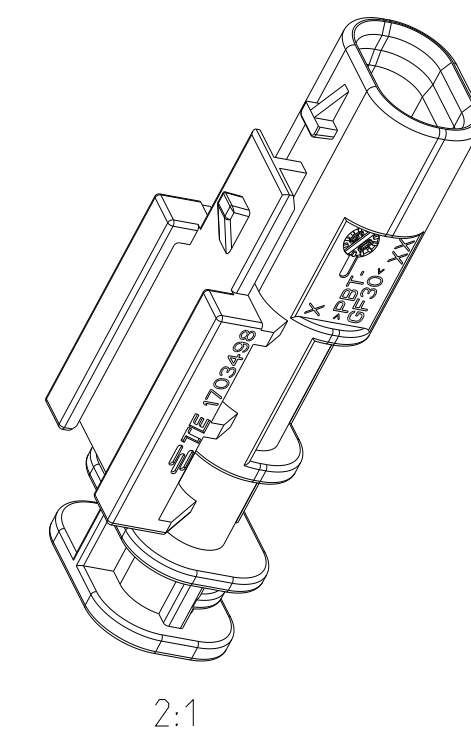
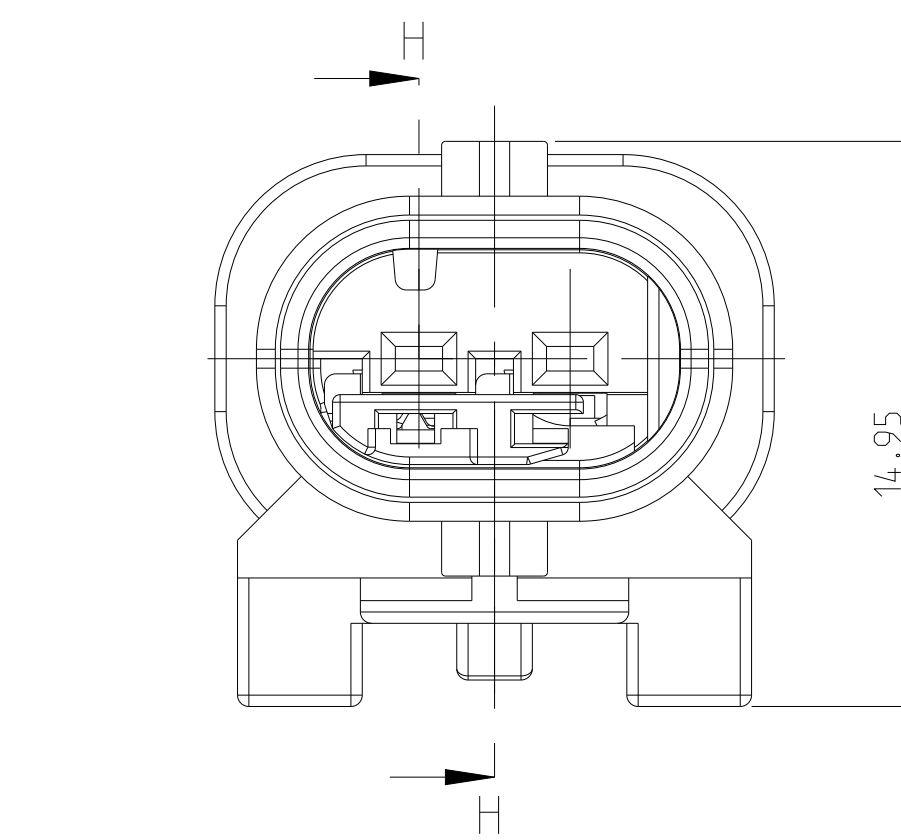
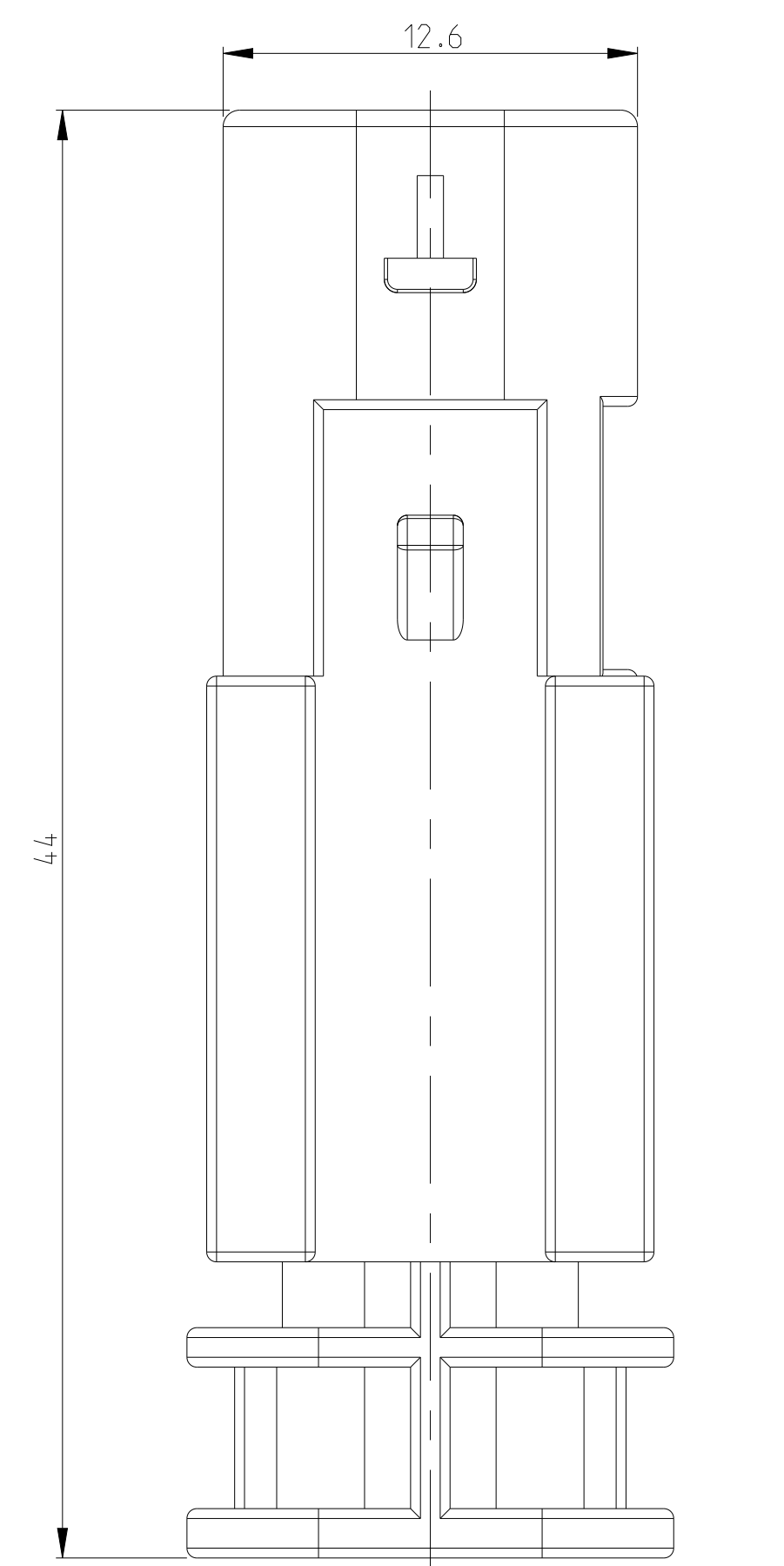
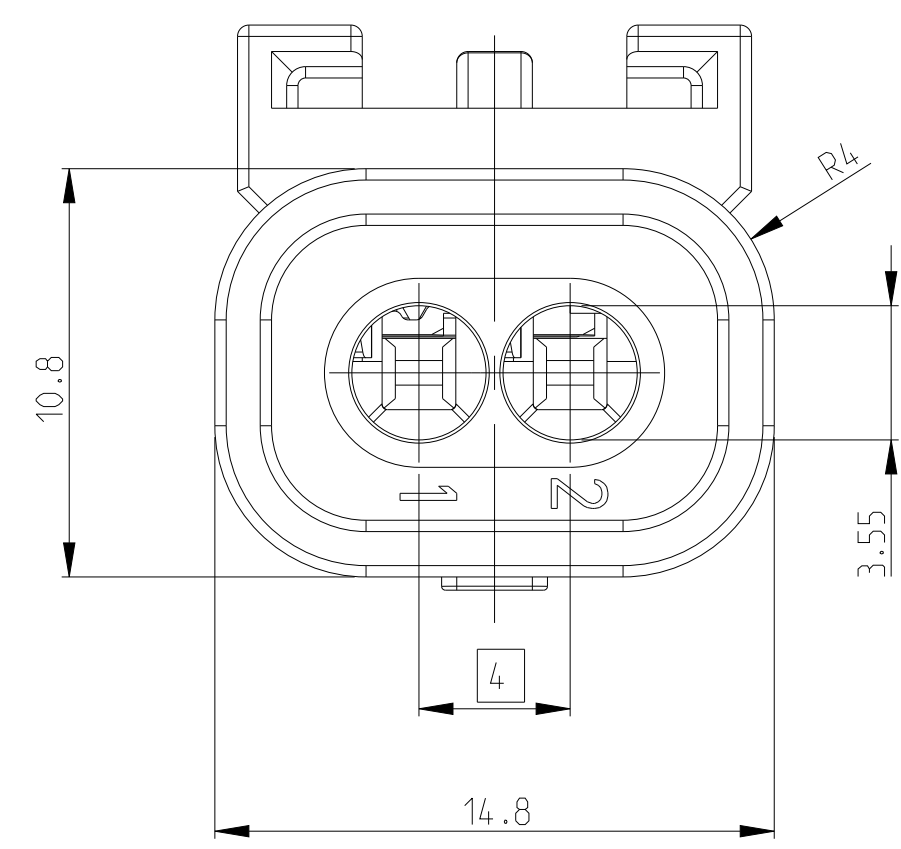
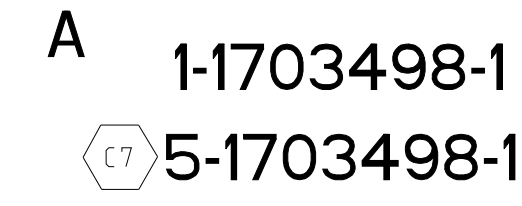


SHOWN 1-1703498-1

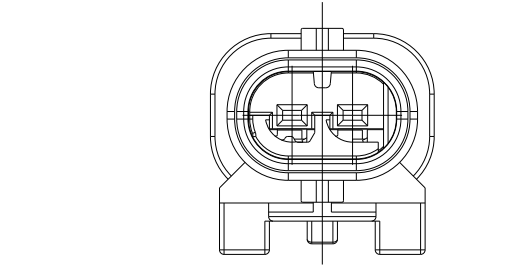


2:1

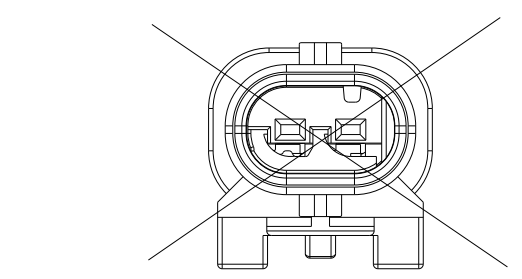
CODINGS
2:1



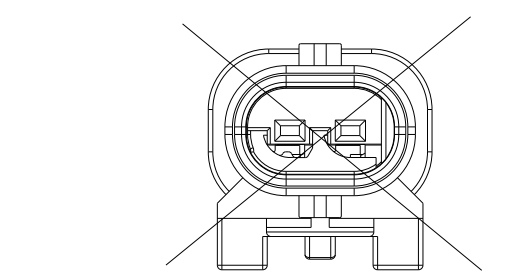
A
1-1703498-1
5-1703498-1



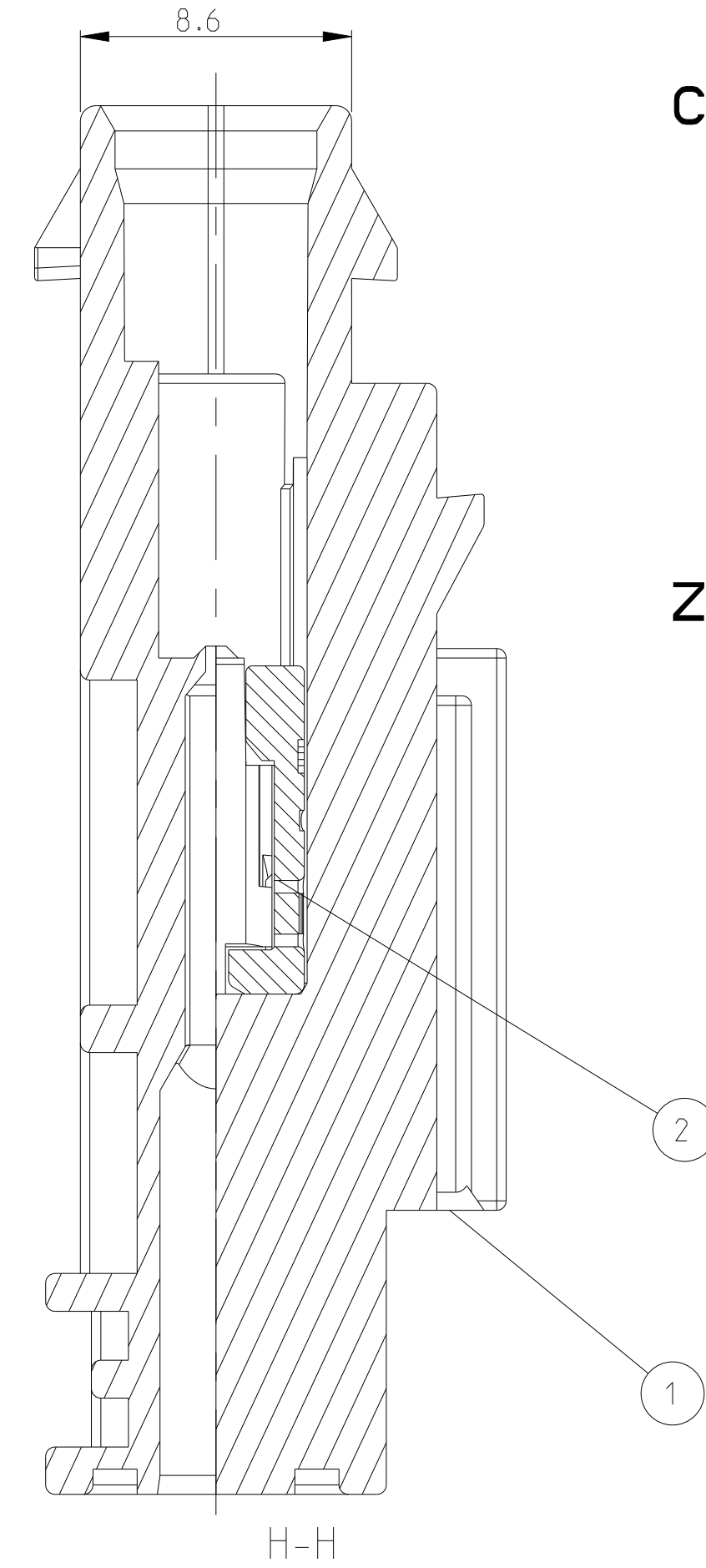
B
2-1703498-1



C
3-1703498-1

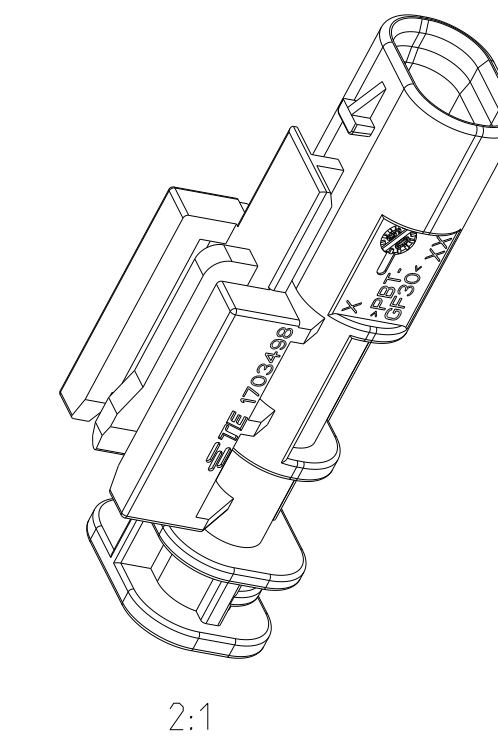
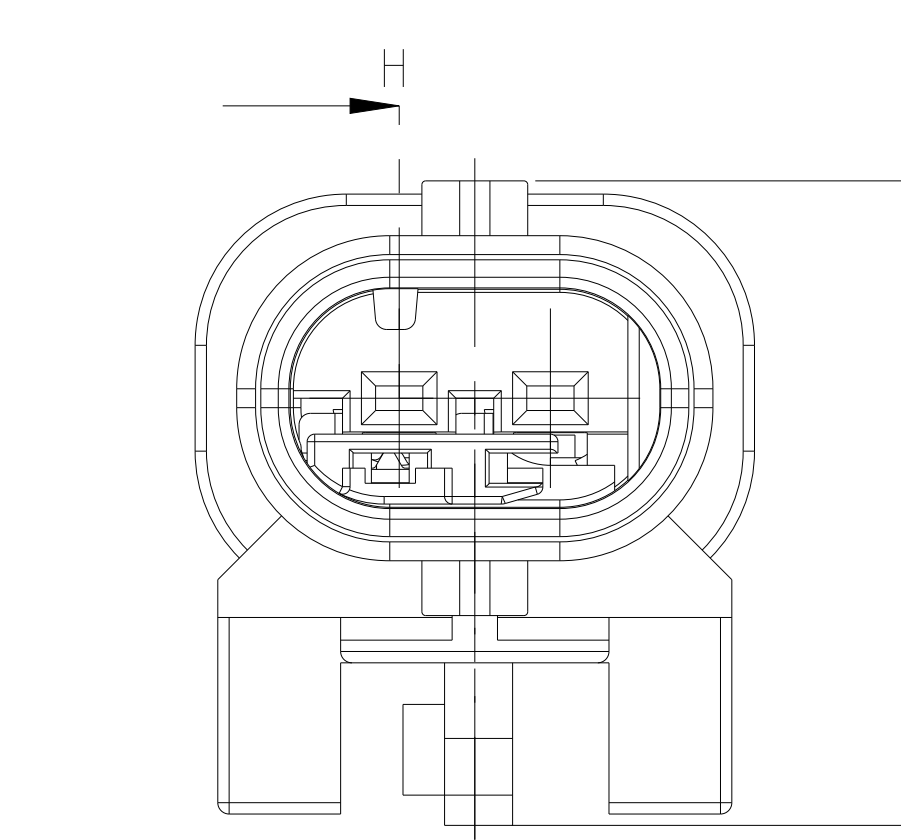
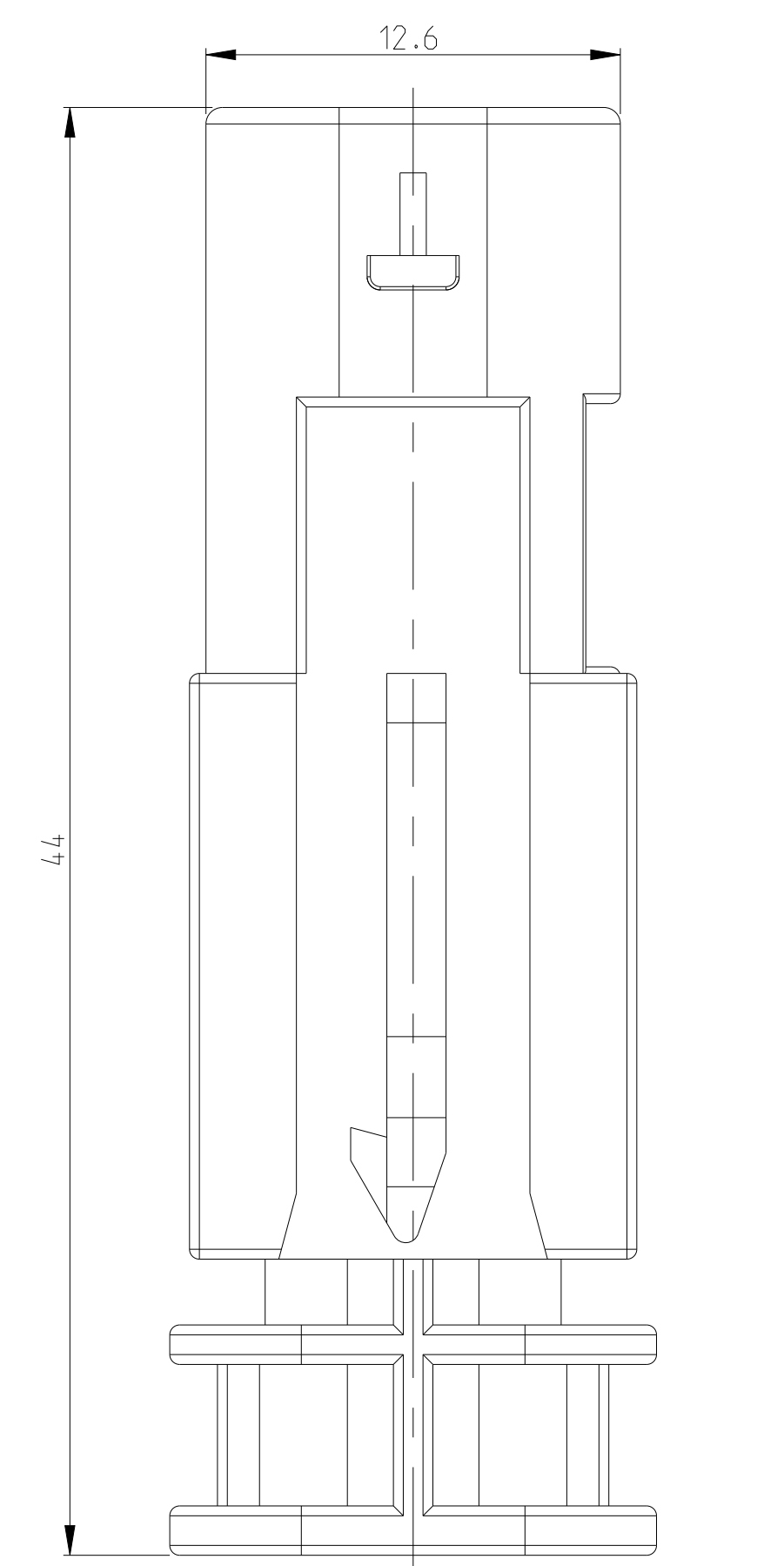
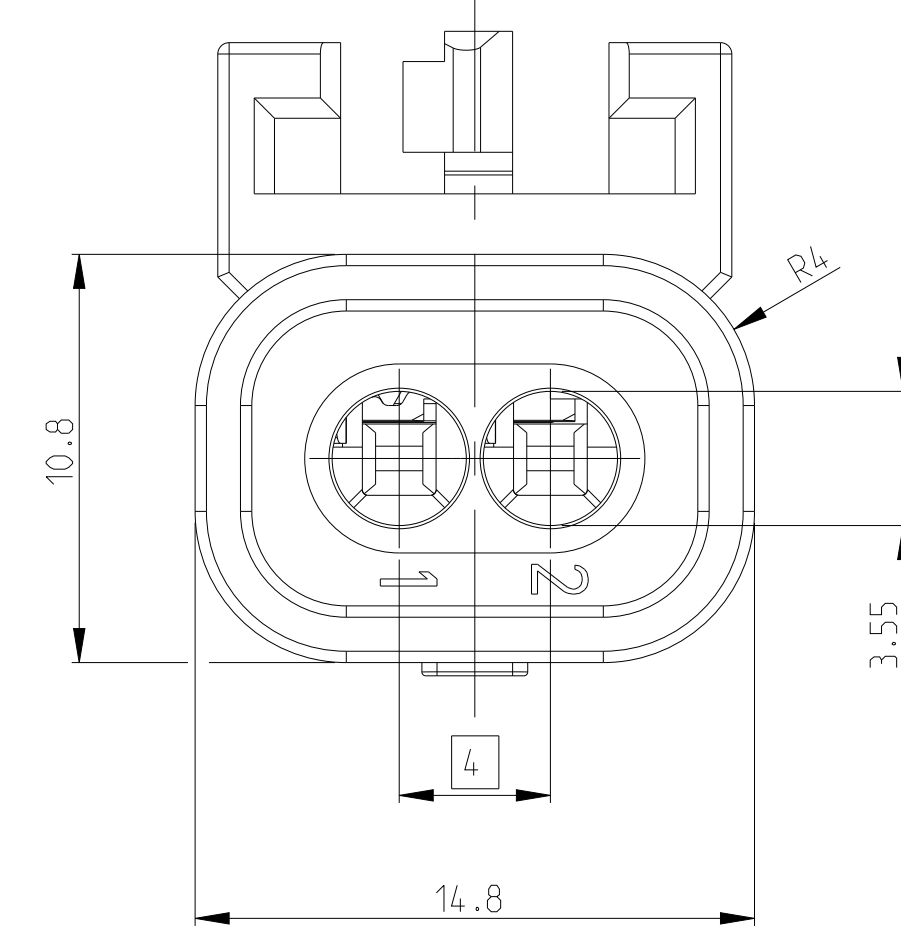


Z
4-1703498-1



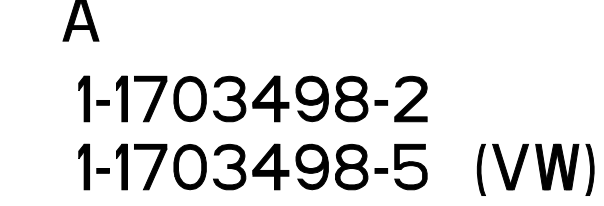
H-H

SHOWN 1-1703498-2

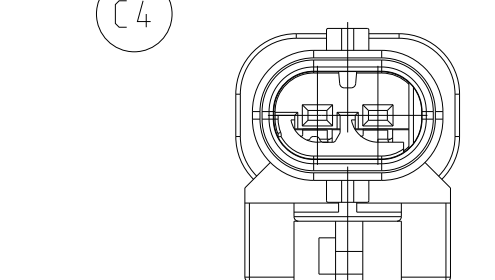


2:1

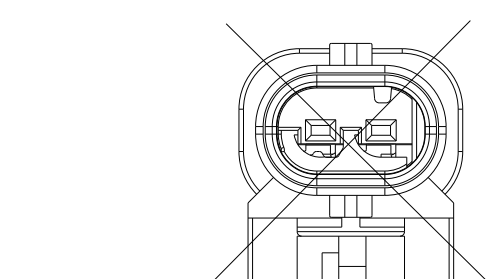
CODINGS
2:1



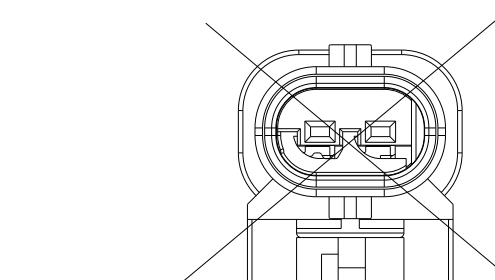
A
1-1703498-2
1-1703498-5 (VW)



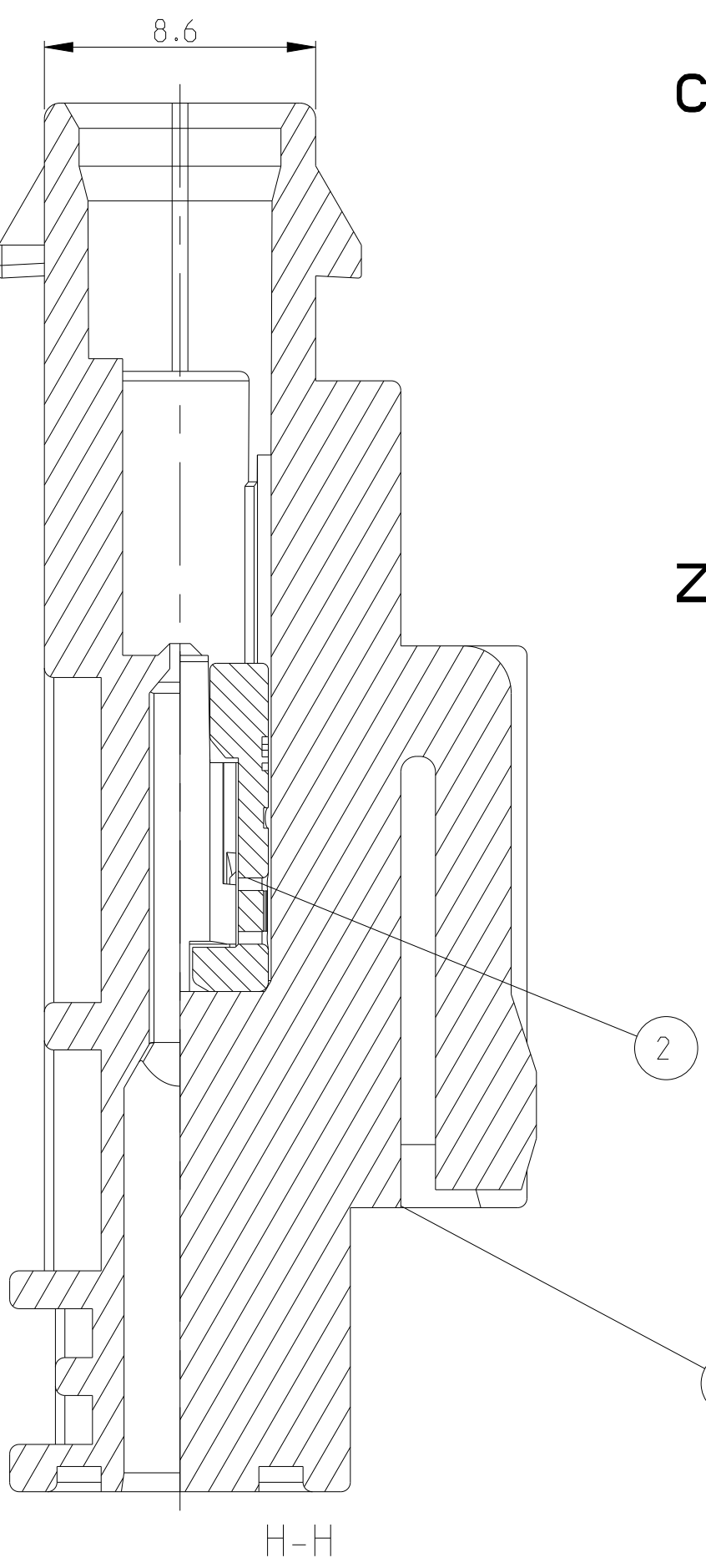
B
2-1703498-2



C
3-1703498-2

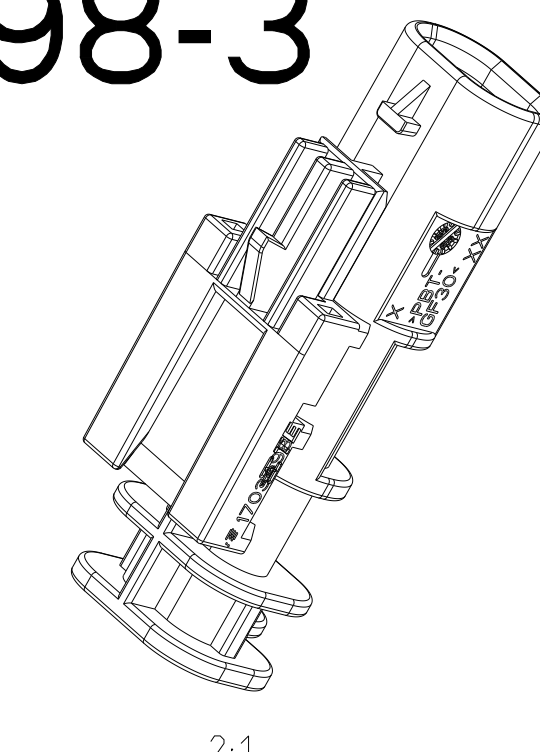
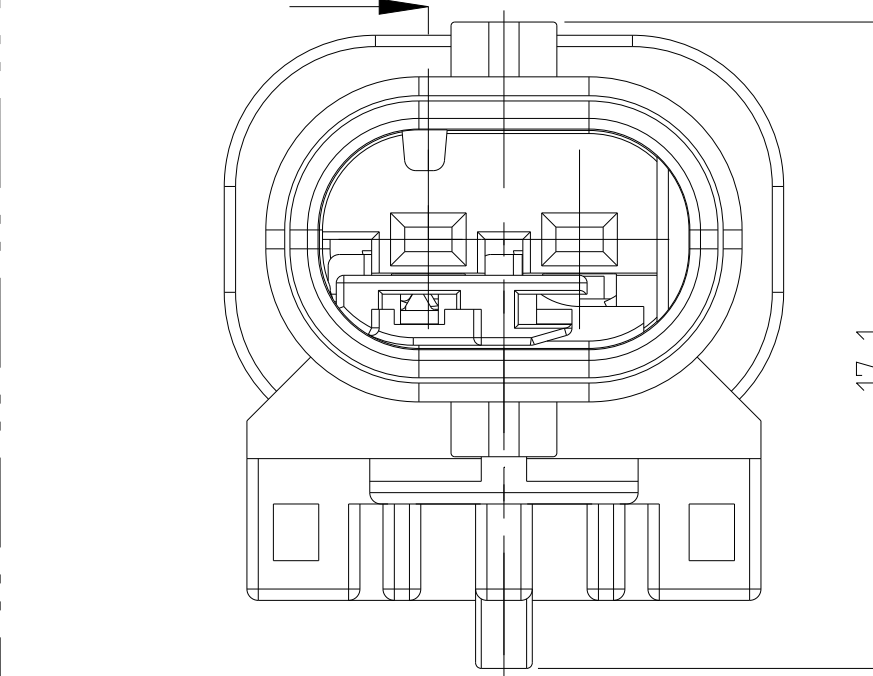
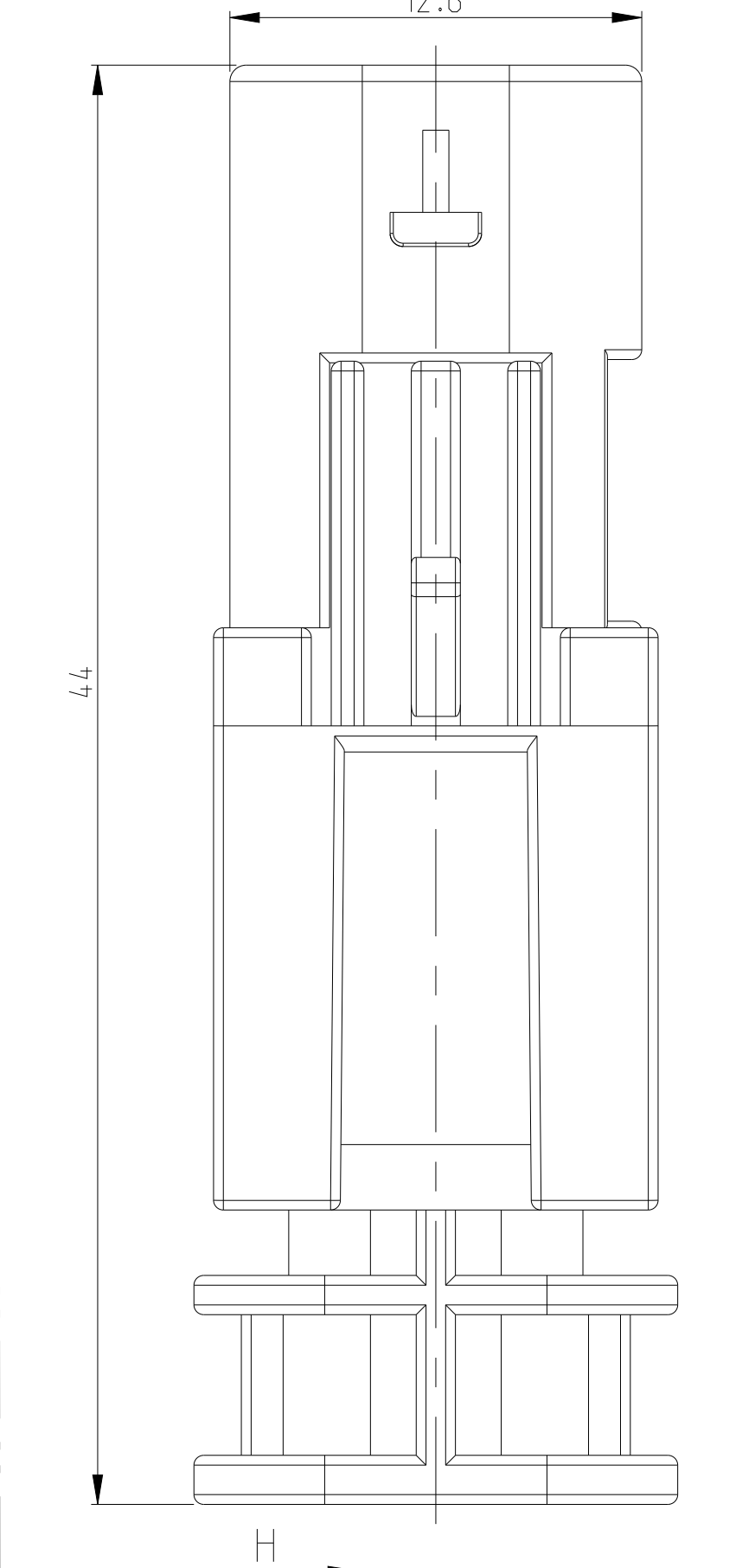
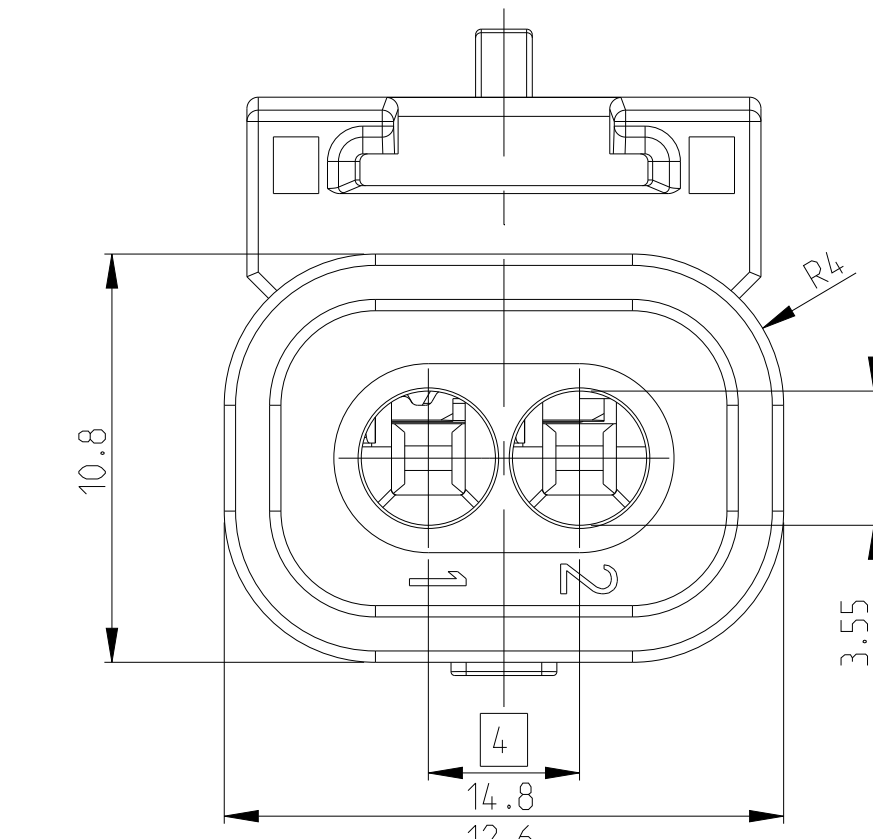


Z
4-1703498-2



H-H

SHOWN 1-1703498-3



2:1

CODINGS
2:1

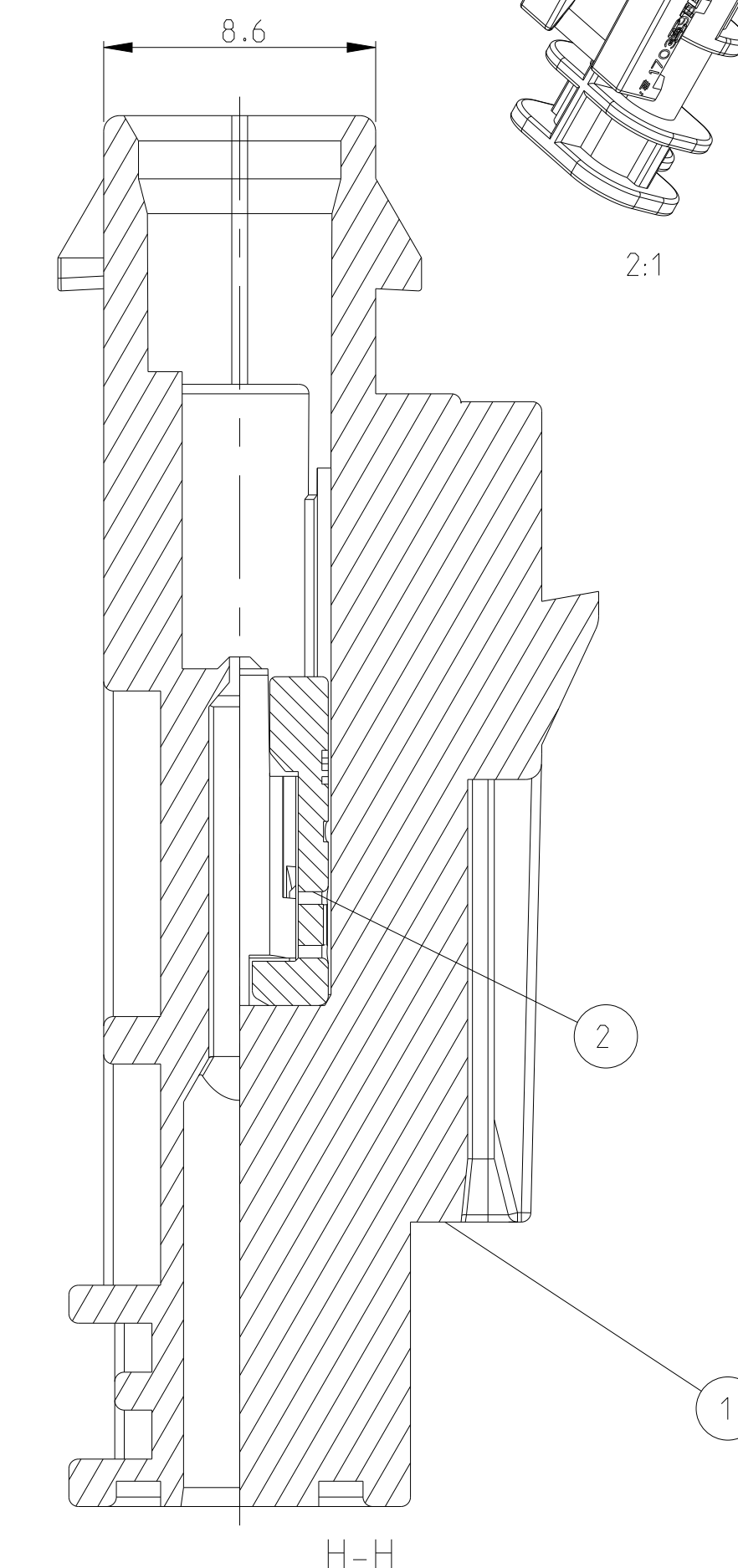
A
1-1703498-3
(BLACK)

1-1703498-4
(YELLOW)

B
2-1703498-3
(GREY) (C6)
2-1703498-4
(YELLOW)

C
3-1703498-3

Z
4-1703498-3



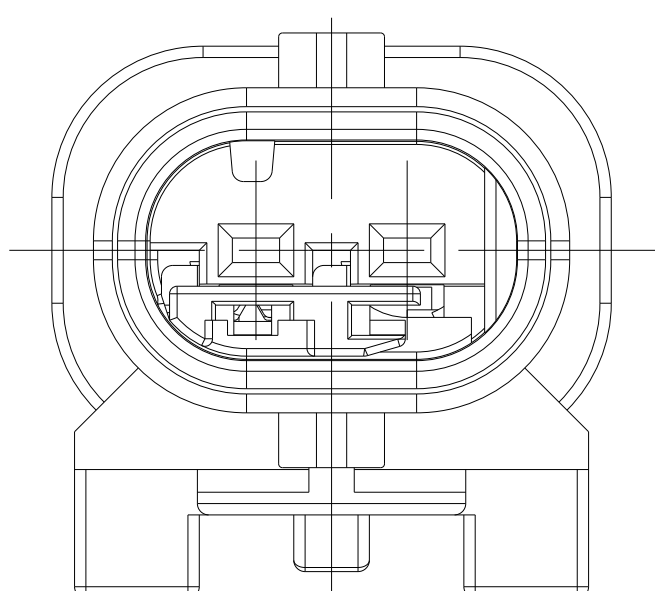
H-H

2

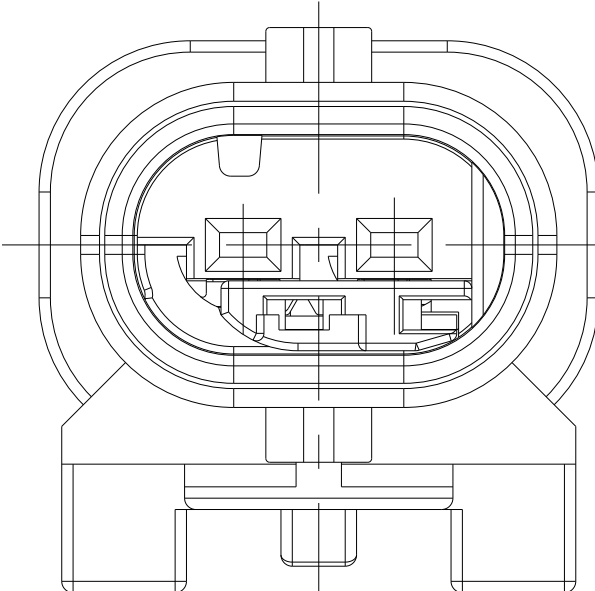
1

TE SUITABLE FEMALE HSG. PASSENDE BUCHSENH.	ASSY REV.	TE Bestell-Nr. ORDER-NO.	CODE	Benennung TITLE	QTY	Benennung Einzelteil TITLE	Werkstoff MATERIAL	Oberflaeche/Farbe SURFACE/C.OLOUR	Pos. ITEM
2-1670916-1	C	2-1703498-4	B	Stiftgehaeuse 2pol. MALE HOUSING 2POS.	1	Kontaktsicherung RETAINER	PA66-GF35	violett/VIOLET	2
					1	Stiftgehaeuse MALE HOUSING	PBT-GF30	gelb/YELLOW	1b
1-1670916-1	C	1-1703498-4	A	Stiftgehaeuse 2pol. MALE HOUSING 2POS.	1	Kontaktsicherung RETAINER	PA66-GF35	violett/VIOLET	2
					1	Stiftgehaeuse MALE HOUSING	PBT-GF30	gelb/YELLOW	1a
-	C	4-1703498-3	Z	Stiftgehaeuse 2pol. MALE HOUSING 2POS.	1	Kontaktsicherung RETAINER	PA66-GF35	violett/VIOLET	2
					1	Stiftgehaeuse MALE HOUSING	PBT-GF30	schwarz/BLACK	1z
-	C	3-1703498-3	C	Stiftgehaeuse 2pol. MALE HOUSING 2POS.	1	Kontaktsicherung RETAINER	PA66-GF35	violett/VIOLET	2
					1	Stiftgehaeuse MALE HOUSING	PBT-GF30	schwarz/BLACK	1c
2-1670916-1	C	2-1703498-3	B	Stiftgehaeuse 2pol. MALE HOUSING 2POS.	1	Kontaktsicherung RETAINER	PA66-GF35	violett/VIOLET	2
					1	Stiftgehaeuse MALE HOUSING	PBT-GF30	schwarz/BLACK	1c
1-1670916-1	C	1-1703498-3	A	Stiftgehaeuse 2pol. MALE HOUSING 2POS.	1	Kontaktsicherung RETAINER	PA66-GF35	violett/VIOLET	2
					1	Stiftgehaeuse MALE HOUSING	PBT-GF30	schwarz/BLACK	1a
1-1670916-1	C	1-1703498-5	A	Stiftgehaeuse 2pol. MALE HOUSING 2POS.	1	Kontaktsicherung RETAINER	PA66-GF35	violett/VIOLET	2
					1	Stiftgehaeuse MALE HOUSING	PBT-GF30	schwarz/BLACK	1a
-	C	4-1703498-2	Z	Stiftgehaeuse 2pol. MALE HOUSING 2POS.	1	Kontaktsicherung RETAINER	PA66-GF35	violett/VIOLET	2
					1	Stiftgehaeuse MALE HOUSING	PBT-GF30	schwarz/BLACK	1z
-	C	3-1703498-2	C	Stiftgehaeuse 2pol. MALE HOUSING 2POS.	1	Kontaktsicherung RETAINER	PA66-GF35	violett/VIOLET	2
					1	Stiftgehaeuse MALE HOUSING	PBT-GF30	schwarz/BLACK	1c
2-1670916-1	C	2-1703498-2	B	Stiftgehaeuse 2pol. MALE HOUSING 2POS.	1	Kontaktsicherung RETAINER	PA66-GF35	violett/VIOLET	2
					1	Stiftgehaeuse MALE HOUSING	PBT-GF30	schwarz/BLACK	1c
1-1670916-1	C	1-1703498-2	A	Stiftgehaeuse 2pol. MALE HOUSING 2POS.	1	Kontaktsicherung RETAINER	PA66-GF35	violett/VIOLET	2
					1	Stiftgehaeuse MALE HOUSING	PBT-GF30	schwarz/BLACK	1a

RETAINER IN PRE LOCKED POSITION
2. Kontaktsicherung in Vorraststellung



RETAINER IN FINAL LOCKED POSITION
2. Kontaktsicherung in Endraststellung



RETAINER MOVING DIRECTION
2. Kontaktsicherung Verschiebeweg

TE-PN TERMINALS	WIRE RANGE	TE-PN SINGLE WIRE SEAL	TE-PN BLIND PLUG
214868	0.08 - 0.22mm ²	967067-2	967056-1
1718758	0.25 - 0.35mm ²	967067-2	
1718760	0.5 - 0.75mm ²	967067-1	
1718762	1mm ²	967067-1	

TERMINAL TE-APPLICATION SPEC.: 114-18464

TE SUITABLE FEMALE HSG. PASSENDE BUCHSENH.	ASSY REV.	TE Bestell-Nr. ORDER-NO.	CODE	Benennung TITLE	QTY	Benennung Einzelteil TITLE	Werkstoff MATERIAL	Oberflaeche/Farbe SURFACE/C.OLOUR	Pos. ITEM
1-1670916-1	C	5-1703498-1	A	Stiftgehaeuse 2pol. MALE HOUSING 2POS.	1	Kontaktsicherung RETAINER	PA66-GF35	violett/VIOLET	2
					1	Stiftgehaeuse MALE HOUSING	PBT-GF30	blau/BLUE	1
-	C	4-1703498-1	Z	Stiftgehaeuse 2pol. MALE HOUSING 2POS.	1	Kontaktsicherung RETAINER	PA66-GF35	violett/VIOLET	2
					1	Stiftgehaeuse MALE HOUSING	PBT-GF30	schwarz/BLACK	1z
-	C	3-1703498-1	C	Stiftgehaeuse 2pol. MALE HOUSING 2POS.	1	Kontaktsicherung RETAINER	PA66-GF35	violett/VIOLET	2
					1	Stiftgehaeuse MALE HOUSING	PBT-GF30	schwarz/BLACK	1c
2-1670916-1	C	2-1703498-1	B	Stiftgehaeuse 2pol. MALE HOUSING 2POS.	1	Kontaktsicherung RETAINER	PA66-GF35	violett/VIOLET	2
					1	Stiftgehaeuse MALE HOUSING	PBT-GF30	grau/GREY	1b
1-1670916-1	C	1-1703498-1	A	Stiftgehaeuse 2pol. MALE HOUSING 2POS.	1	Kontaktsicherung RETAINER	PA66-GF35	violett/VIOLET	2
					1	Stiftgehaeuse MALE HOUSING	PBT-GF30	schwarz/BLACK	1a

REGRIND MAX. 25%

THIS DRAWING IS A CONTROLLED DOCUMENT. DATE: 19JUN2007. BY: LOECSER. CHECKED: 19JUN2007. DIMENSIONS: INCHES. DIMENSIONS: MILLIMETERS. MATERIAL: PA66-GF35. FINISH: -.

STE TE Connectivity

MALE HOUSING, 2POS., MCON 1.2mm LL SEALED ASSY

SCALE: 5:1